

Clarius®

Clarius® PLUS Medium Range

The Clarius® PLUS range of high performance White Light LED illuminators are designed to provide class leading performance, long life and ultra low maintenance.

Incorporating the latest surface mount LED's with enhanced optical output and outstanding reliability, they deliver excellent night-time images.

Each unit is fitted with integrated control circuitry to carefully control LED output, delivering consistent illumination and projected working life in excess of 10 years.

The Clarius® PLUS range of illuminators includes a new interchangeable lens diffuser system; which allows the user to quickly and easily alter the angle of illumination. Elliptical beam profiles allow more light to be delivered where it is needed, allowing both longer distances and minimising light wastage. The system also helps to prevent overexposure of foreground objects.

As standard the illuminator includes interchangeable lensing to deliver 10° circular, 30°x20°, 60°x30°, 80°x60° & 120°x50° elliptical beam profiles.

Installation is quick and easy, requiring only a 12-32V DC / 24V AC +/- 10%.

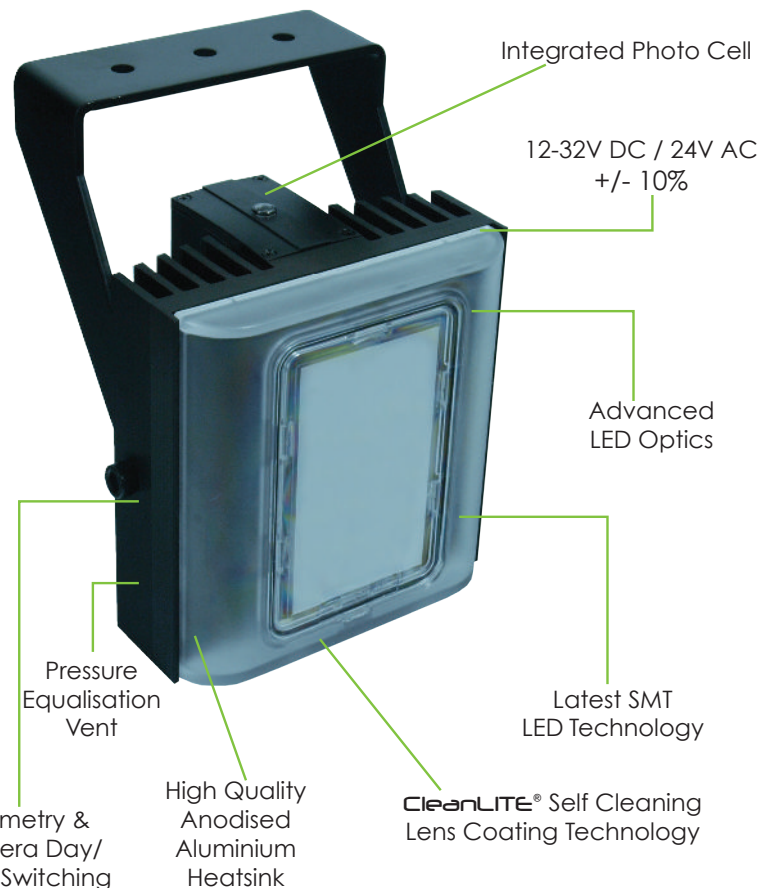
PRODUCT FEATURES

- Medium Range White Light Illuminator
- Latest SMT Dual Core LED™ Technology
- Distances Up To 67m (220')
- Low Power Consumption (26W)
- Long Life
- 5 Year Warranty
- IP67 Weather Proof Rating
- Built-in Photocell WL On/Off
- Photocell Following Contact
- Telemetry Input for Remote Switching
- 12-32V DV / 24V AC +/- 10%
- **CleanLITE®** Self Cleaning Lens Coating Technology
- Angle 10, 30x20, 60x30, 80x60, 120x50
- Elliptical Beam Profiles



INTERCHANGEABLE
DIFFUSER LENS

Recommended PSU ALT-30-24



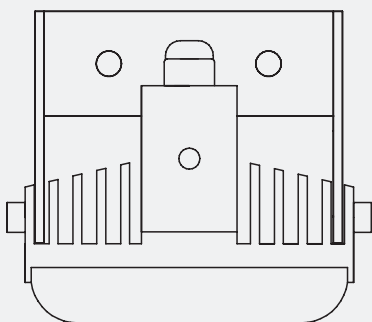
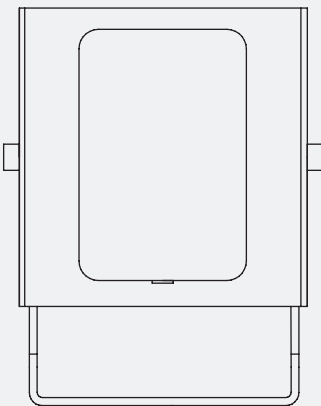
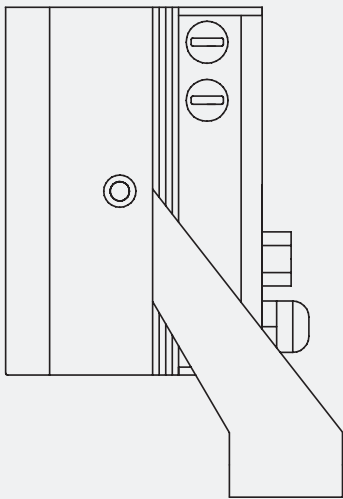
APPLICATIONS



MODEL NUMBER	ANGLE	DISTANCE		FOV	
VM-CW1	10°	67m	220'	12m	38'
	30° x 20°	35m	115'	19m	62'
	60° x 30°	25m	82'	29m	95'
	80° x 60°	17m	55'	41m	133'
	120° x 50°	14m	46'	48m	159'

Other angles available on request

TECHNICAL SPECIFICATIONS



GENERAL

Electronics

High Efficiency Surface Mount High Power LED's With Advanced Current Limited Integral Control Circuitry

Construction Front Window

Robust High Quality Aluminium Extrusion
Polycarbonate High Transmission Protective (Vandal Proof) IR Filter with **CleanLITE®** Technology

Finish Power Cable Interface Connector

Silver Anodised
3m (9ft)
Photocell Following Contact & Remote Telemetry Input

Pressure Equalisation Vent

Prevents Thermal Following Contact & Pressure Cycling

Photocell Illumination Operating Temperature Weight Mount Dimensions

Adjustable 20 -70 Lux
Adjustable 10% - 100%
-50° to 60°C (-58° to 140°F)
750g (1.6lbs)
Powder Coated Stainless Steel Wall Mount
68 x 110 x 78mm (2.68" x 4.33" x 3.07")

ELECTRICAL

Input Voltage Input Current Consumption

12-32V DC or 24V AC +/- 10%
0.6A at 24V AC
15W

LIGHTING OUTPUT

Lumen Output Wavelength Colour Temperature Colour Rendering Index

928lm
Visible Spectrum (400-750nm)
6500k
74-80+

CERTIFICATION

Safety

EN60598:2004 Electrical Safety
EN60825-1 Laser Eye Safety

IP EMC

IP67 In Accordance With EN60529:1992
EN61000, FCC Part 15. 107
15. 108 Class B

WEEE

Waste Electrical & Electronic Equipment European Directive 202/96/EC

RoHS

Restriction Of Hazardous Substance European Directive 202/95/EC

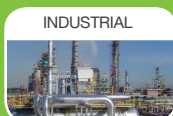
APPLICATIONS



RESIDENTIAL



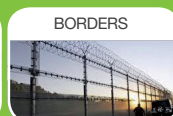
COMMERCIAL



INDUSTRIAL



AIRPORTS



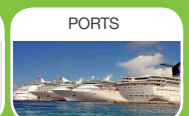
BORDERS



MILITARY BASES



MACHINE VISION



PORTS